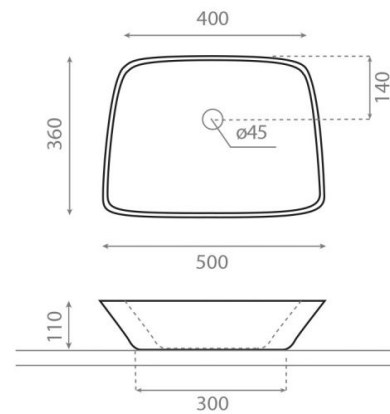


Anabel

Ref. 0091

500x360x110 mm



Features

- No wall-mounting possibility.
- With overflow.
- Net weight 7kg, gross weight 8kg.
- Units per pallet: 68.

