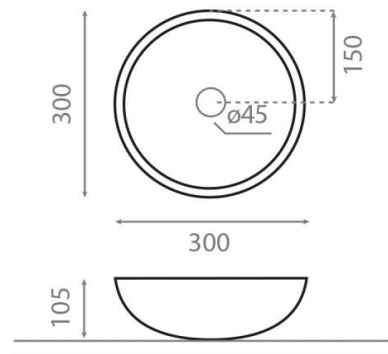


Moon

Ref. 4013

300x105 mm



Features

Wall-mounting possibility combining ref. 00115 curved support.
Without overflow.
Net weight 3kg, gross weight 4kg.
Units per pallet: 110.

