

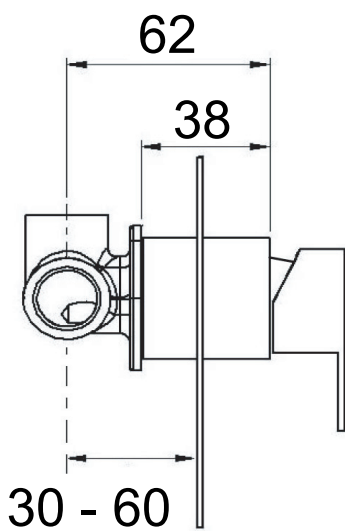
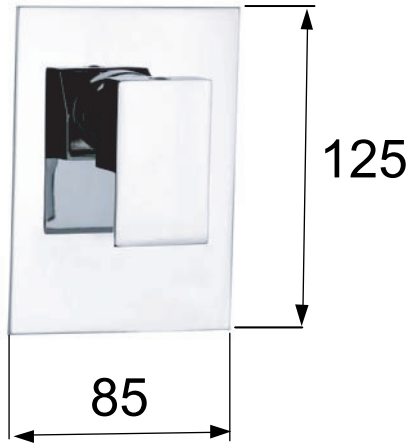


DANIEL

SCHEDA TECNICA TECHNICAL FEATURES

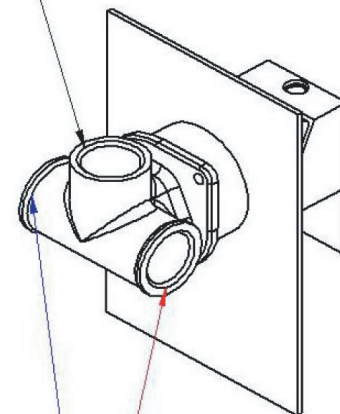
ART. COD.

SK602



ENTRATA ACQUA FREDDA
COLD WATER INLET
G1/2

USCITA DOCCIA
SHOWER OUTLET
G1/2



ENTRATA ACQUA CALDA
HOT WATER INLET
G1/2

MATERIALI / MATERIALS

OTTONE CROMATO / CHROME PLATED BRASS

CROMATURA / CHROME PLATING

UNI EN 248