

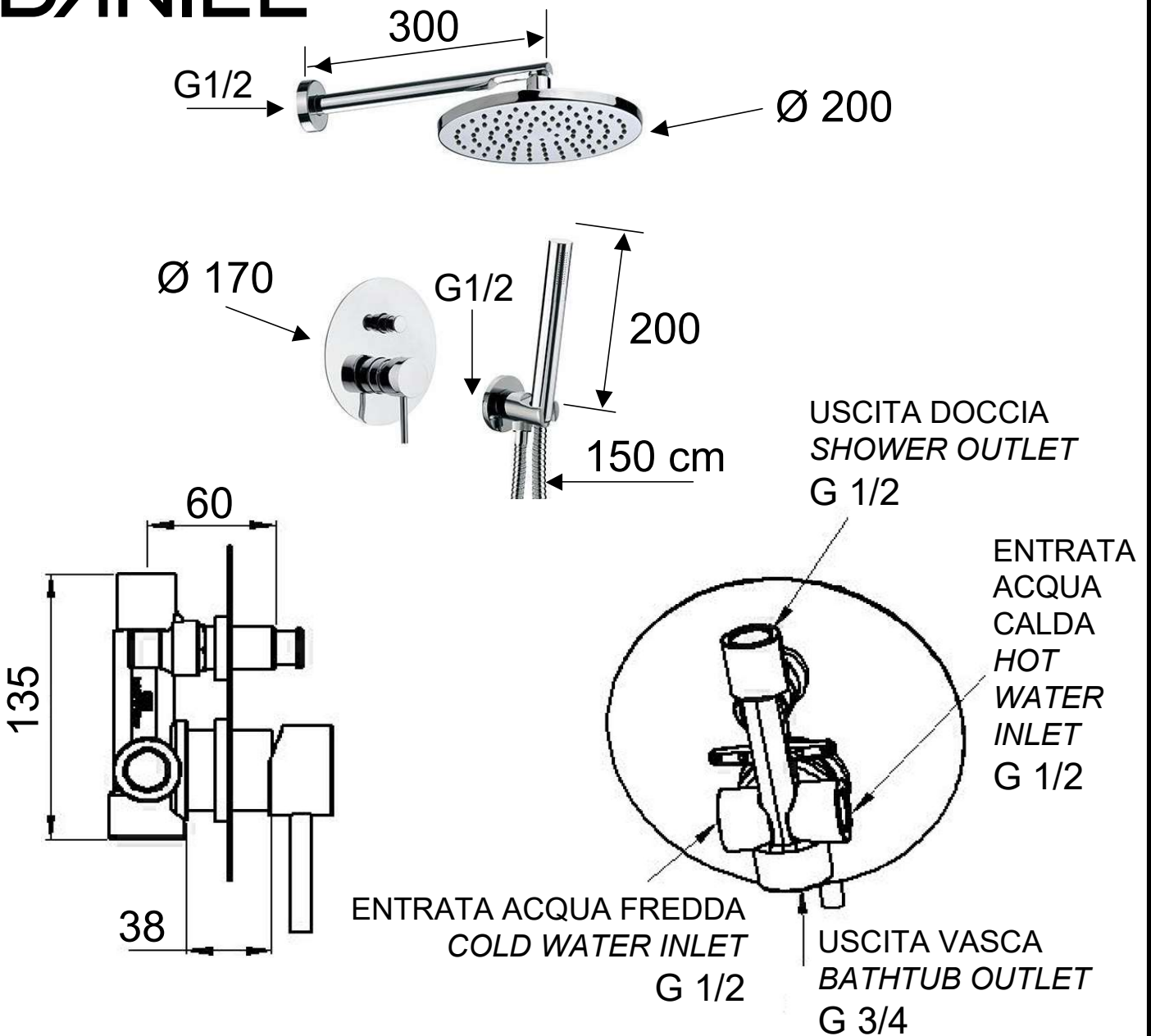


SCHEDA TECNICA TECHNICAL FEATURES

DANIEL

ART. COD.

S20615Z



MATERIALI / MATERIALS

OTTONE CROMATO / CHROME PLATED BRASS

CROMATURA / CHROME PLATING

UNI EN 248