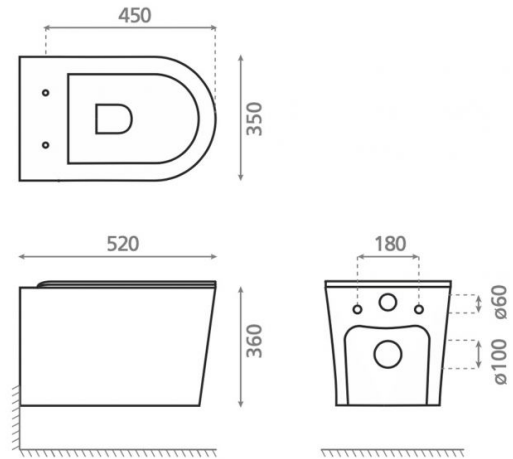


# Antequera

## Ref. 4561

485x355x320 mm.



### Features

Net weight: 23 kg  
Gross weight: 27 kg

Packaging: 540x440x440 mm

Available colors:

