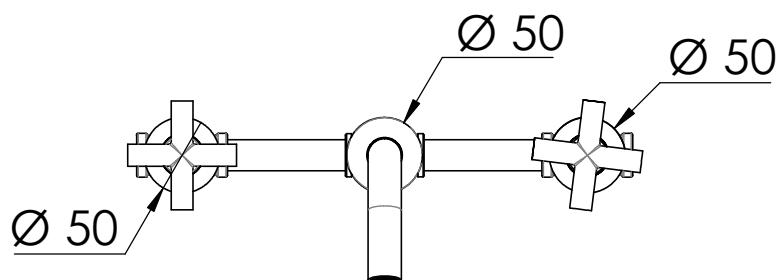


ART. COD. **J5022**

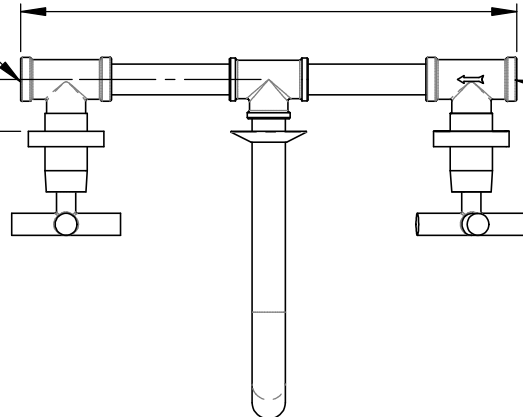


ENTRATA CALDA
HOT INLET
G1/2

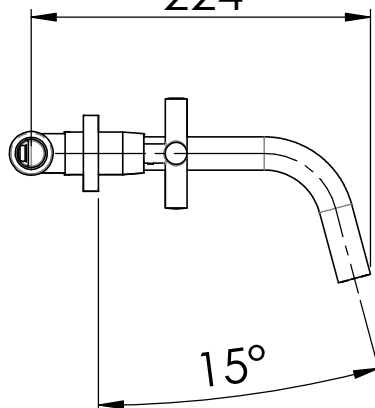
MIN 27
MAX 50

328 ± 10

ENTRATA FREDDA
COLD INLET
G1/2



224



MATERIALI / MATERIALS

OTTONE CROMATO / CHROME PLATED BRASS

CROMATURA / CHROME PLATING

UNI EN 248